

4

3

2

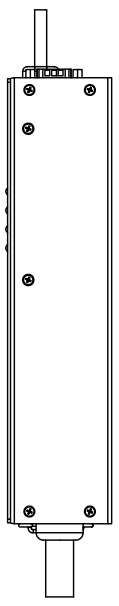
1

D

C

B

A



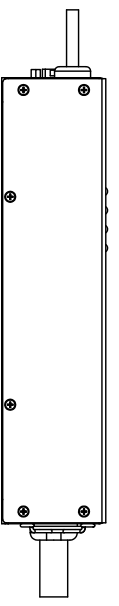
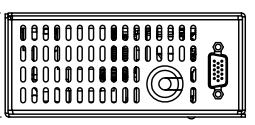
14 AWG

10 AWG

5 [127]

2.165 [55]

9.291 [236]

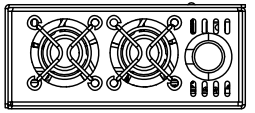
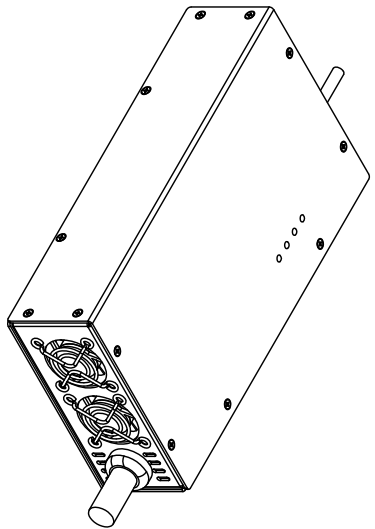


D

C

B

A



0.394 [10]

8.11 [206]

0.354 [9]

4.291 [109]

4\*6-32UNC



THIRD ANGLE PROJECTION



LED-4S10-07 Outline and mounting

PROPRIETARY  
 THE INFORMATION CONTAINED IN THIS DRAWING IS THE  
 SOLE PROPERTY OF CHARGE TEK, INC. ANY REPRO-  
 DUCION IN PART OR WHOLE WITHOUT THE WRITTEN  
 PERMISSION OF CHARGE TEK, INC. IS PROHIBITED.

SCALE:	VERSION:	SHEET OF:
B		1
SIZE:	DRAWING NUMBER:	REV:

4

3

2

1